



Performance evaluation of peer-to-peer Web caching systems

Weisong Shi ^{*}, Yonggen Mao

Mobile and Internet Systems Group, Department of Computer Science, Wayne State University, Detroit, MI 48202, USA

Received 25 February 2005; received in revised form 13 August 2005; accepted 18 August 2005

Abstract

Peer-to-peer Web caching has attracted a great attention from the research community recently, and is one of the potential peer-to-peer applications. In this paper, we systematically examine the three orthogonal dimensions to design a peer-to-peer Web caching system, including the *caching algorithm*, the *document lookup algorithm*, and the *peer granularity*. In addition to the traditional *URL-based* caching algorithm, we also evaluate the *content-based* caching algorithm for both dynamic and static Web content. Four different document lookup algorithms are compared and evaluated in the context of four different peer granularities, i.e., *host level*, *organization level*, *building level*, and *centralized*. A detailed simulation, using the traces collected at a medium size education institution, is conducted for the purpose of performance evaluation. Finally, several implications derived from this analysis are also discussed.

© 2005 Elsevier Inc. All rights reserved.

Keywords: Peer-to-peer systems; Web caching; Analysis model; Latency reduction; Hit ratio; Performance evaluation

1. Introduction

Peer-to-peer networking has become a hot research topic recently (Androutsellis-Theotokis and Spinellis, 2004; Ratnasamy et al., 2001; Rowstron and Druschel, 2001; Stolica et al., 2001; Zhao et al., 2001). Peer-to-peer Web caching is thought as one of the potential applications that could be benefited from these underlying peer-to-peer substrates, and has been exploited by several projects (Iyer et al., 2002; Xiao et al., 2002). Xiao et al. (2002) proposed a browser-aware proxy server model and evaluated using BU-95 trace (Cunha et al., 1995) collected from Boston University (1995) and NLNR-uc trace (2000) (IRCache Project, 1995). In Squirrel, Iyer et al. (2002) presented a peer-to-peer Web caching system built on top of the PASTRY (Rowstron and Druschel, 2001), and evaluated using the traces of Microsoft Research Redmond campus (1999) (Wolman et al., 1999b) and Cambridge campus (2001) respectively. Although these two studies showed optimistic results for peer-to-peer Web caching, the study of Wolman

et al. (1999b) indicated a relative pessimistic results using the traces from Microsoft Corporation (1999) and University of Washington's (1999).

The possible reasons for the controversial observation of above studies are: (1) those studies worked with different traces; (2) the peer granularity of these studies was different. Squirrel and Xiao et al.'s studies were at *host level*, while Wolman et al.'s study was at the *organization level*. Furthermore, from the perspective of users, the *latency reduction* resulted from those cooperative caching is more important than the *hit ratio*, but those studies did not quantitatively evaluate the effect of latency improvement.

On the other hand, recent studies (Barford et al., 1999; Shi et al., 2003a) show the fast growing of the dynamic and personalized Web content. This trend will reduce the cacheability of cooperative Web caching significantly under the conventional *URL-based* caching algorithm. Fortunately, recent studies (Kelly and Mogul, 2002; Zhu et al., 2003) show that the dynamic objects have a large portion of repeatness based on their content digest. This repeatness provides an opportunity to improve the cacheability, and motivates us to propose a *content-based* caching algorithm for peer-to-peer Web caching.

^{*} Corresponding author. Tel.: +1 313 577 3186; fax: +1 313 577 6868.
E-mail address: weisong@wayne.edu (W. Shi).

In this paper, we intend to evaluate the performance of peer-to-peer Web caching systems and to examine the future research directions of peer-to-peer Web caching. We first develop an analysis model to calculate the speedup of the peer-to-peer caching system based on Dykes and Robbins's work (2002). Then, we systematically examine the design space of a peer-to-peer Web caching system in three orthogonal dimensions: the *caching algorithm*, the *document lookup algorithm*, and the *peer granularity*. Based on the observation that the traditional *URL-based* caching algorithm suffers considerably from the fact of cacheability decrease caused by the fast growing of dynamic and personalized Web content, we propose to use a *content-based* caching algorithm which exploits the fact of the large repeatness of Web objects even though their URLs are different. In addition to comparing three existing document lookup algorithms, we propose a simple and effective *geographic-based* document lookup algorithm. Four different peer granularities, i.e., *host level*, *organization level*, *building level*, and *centralized*, are studied and evaluated using a seven-day Web trace collected from a medium-size educational institution. Using the trace-driven simulation, we compared and evaluated all the design choices in terms of three performance metrics: *hit ratio*, *latency reduction*, and *speedup*. The reasons that we collected the trace by ourselves instead of using existing public traces are: (1) most available traces are lack of the latency information which is one of performance metrics in our study; (2) the entire Web object is required in order to calculate the content digest, which is not available in any present trace.

The experimental results suggest that: (1) ideally, the *content-based* caching algorithm could improve the cacheability of Web objects substantially, increasing from 7.0% (*URL-based*) to 62.0% (*content-based*); (2) the document sharing among peers is very effective, ranging from 22.0% (*building level*) to 34.2% (*host level*); (3) the average user-perceived latency is reduced three to six times compared with the measured latency at all peer granularities using the *home1* (Xiao et al., 2002) and the *Tuxedo* algorithm (Shi et al., 2003b); (4) the *Tuxedo* algorithm at the host level has the highest speedup comparing with all combinations; (5) the proposed *geographic-based* document lookup algorithm has comparable *hit ratio* and significant *latency reduction*.

Based on these observations, we derive several implications for peer-to-peer Web caching: (1) there is a need to deploy the *content-based* Web caching mechanism to improve the performance of content delivery on the Internet; (2) the *organization* or *building level* peer-to-peer Web caching using the *Tuxedo* document lookup algorithm is the most appropriate choice; (3) the *geographic-based* lookup algorithm should be exploited further to benefit from its superior *latency reduction* and easy implementation; (4) among the seven types of dynamic Web content (see definitions in Section 3.1), *dynamic type2* (dynamically generated) and *type7* (zero value of time-to-live) are the most promising to benefit from the *content-based* caching algorithm.

Our contributions of this study include: (1) developing an analysis model to evaluate peer-to-peer Web caching systems; (2) systematically examining the design space of peer-to-peer Web caching; (3) validating the great potential of the *content-based* caching algorithm. To our knowledge, this work is the first performance evaluation using real Web trace with content digest; (4) comprehensive evaluating the performance of Web caching in terms of three performance metrics; (5) proposing a *geographic-based* document lookup algorithm.

The rest of the paper is organized as follows. Section 2 examines the design space of peer-to-peer Web caching systems, and describes the algorithms used in the evaluation. Section 3 describes the trace data collection, and classification of multiple dynamic content. A comprehensive performance evaluation and comparison of different algorithms in terms of three performance metrics is reported in Section 4. Several implications derived from the analysis are listed in Section 5. Related work and conclusion remarks are listed in Sections 6 and 7, respectively.

2. Design space of peer-to-peer Web caching

As illustrated in Fig. 1, there are three orthogonal dimensions in designing a peer-to-peer Web caching system: the *caching algorithm*, the *lookup algorithm*, and the *peer granularity*. Note that, the notion of peer, or peer cache, in this paper is quite flexible. Unlike traditional P2P network (Ratnasamy et al., 2001; Rowstron and Druschel, 2001; Stoica et al., 2001) where the notion of peer refers to a physical end host, each peer cache is defined as the one which performs the caching function on behalf of host(s) inside its scope and cooperates with other counterparts at the same level. For example, an end host itself is a *host level* peer cache. It performs the caching function for itself and cooperates with other *host level* peer caches. Napster (2005), Gnutella (2000), and KaZaA (2005) follow this concept. *Organization/building level* peer caches perform

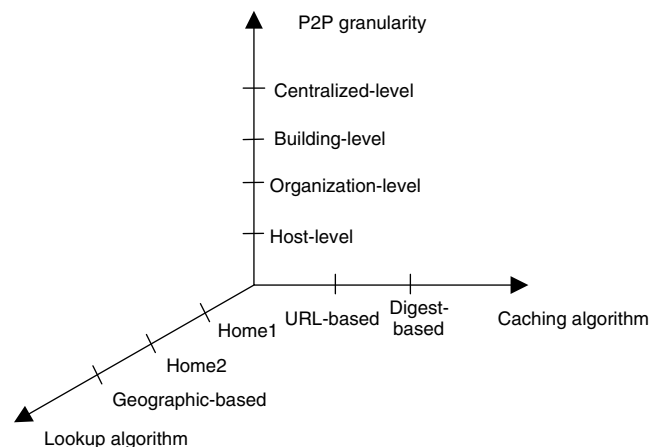


Fig. 1. The three dimension design space of peer-to-peer Web caching systems.

the caching function for hosts inside their scope and cooperate with other *organization/building level* peer caches. Centralized cache performs the caching function for all hosts behind it and does not have any same level peer cache to cooperate with.

2.1. Caching algorithms

Two caching algorithms, the *URL-based* and the *content-based*, are evaluated in this paper. The *URL-based* caching algorithm is based on the URL of a static Web object and its related freshness time, and has been widely used in Web caching. The *content-based* caching algorithm is inspired by recent studies (Kelly and Mogul, 2002; Zhu et al., 2003). In Zhu et al. (2003), we found that the static Web content occupies only 10.2% of total Web requests, and 59.1% Web requests, which are repeatedly accessed (based on their content digests), are traditionally perceived uncacheable. This implies that these uncacheable Web content could be cached if certain protocol could be designed based on the digest value. The basic idea of the *content-based* caching algorithm is to exchange a content digest to decide whether or not a real content communication should happen.

2.2. Document lookup algorithms

As in any P2P networking system, the document lookup algorithm is the core of the whole design. Four lookup algorithms are evaluated in this paper, namely *home1*, *home2*, *geographic-based* (*Geo* in short) and *Tuxedo* as listed in Table 1. The basic idea of the *home1* algorithm is that a high level index server maintains an index file of all Web objects stored in hosts within its scope. This protocol is used in Xiao et al.'s work (2002). When a host requests a Web document, it first checks its local cache. If the request misses, the host will send the request to the index server to search the index file. If the request hits at the host *i*, the index server will inform the host *i* to send the Web object to the request host. If the request misses again in the index server, the request host will go to the original server directly.

In the *home2* algorithm (Iyer et al., 2002), each requested document is associated with a certain host as its logical home (based on its hash value of URL or digest).

When a host requests a document, it will check its local cache first. If a miss occurs, it will employ the P2P routing algorithm to forward the request to the corresponding home. The home will send the requested document back to the client if the request is hit. If a miss occurs again, the home will send the request to the original server and then forward the received Web object to the request host. In addition to using an average latency estimation, we also implement the *home2* algorithm at the host level based on the FreePastry (FreePastry, 2003) package to evaluate the effect of P2P routing overhead.

The *Tuxedo* algorithm was proposed by Shi et al. (2003b). The novelty of this approach includes twofold: *maintaining a specific neighbor set for each Web server* and *using a hierarchical cache digest approach to store multiple transcoded versions of the same content*. Each *Tuxedo* node maintains a server table and a neighbor table as shown in Fig. 2. The server table keeps two pieces of information: (1) an integer number which indicates how many peers are closer than the origin Web server in the neighbor table; and (2) the original server information (latency/bandwidth). The neighbor table contains a hierarchical cache digest information for each peer and is ordered by the latency. In this paper, we are more interested in the benefit of performance improvement of the algorithm.

The *Geo* algorithm comes from our intuition that people will have similar Web-browsing interests at the same geographic location. Currently, only the hosts located in the same subnet are considered geographically closed and contacted to query for the missing document. It can be easily implemented using IP level multicast (if available). Otherwise, an application-level multicast can be used here too (Castro et al., 2003b). When a local cache missing happens, the client first multicast its request within the subnet. If the request hits at a host's local cache, that host will send the Web object back. If there is no reply, the request host will send the request to the original server.

2.3. Peer granularity

Fig. 3 shows four possible peer granularities for a medium-size institution, which has tens of building, multiple logical organizations, and thousands of computers. Each building could have more than one organization. In each organization, there also possibly exist multiple subnets. The P2P model could be applied at any of those levels. In the performance evaluation, we implement three decentralized peer-to-peer Web caching systems at different levels, including *host*, *organization*, and *building* level. For comparison purpose, a *centralized* Web caching is also implemented. On the Internet, the peer granularity can be larger than what we studied here, such as across institutions, however, previous result (Wolman et al., 1999a) shows that sharing across big organizations is limit. Therefore, we will consider the peer-to-peer sharing within a big organization only in this paper.

Table 1
Description of four document lookup algorithms

Algorithms	Description
<i>home1</i>	A hierarchical index server is used to maintain Web content in peer's cache (Xiao et al., 2002)
<i>home2</i>	A decentralized index (using hash value) is used to locate Web content in each peer (Iyer et al., 2002)
<i>Geo</i>	Only hosts located in the same subnet are considered.
<i>Tuxedo</i>	An adaptive neighborhood mechanism is maintained for different Web server and a hierarchical cache digest is used to locate Web content (Shi et al., 2003b)

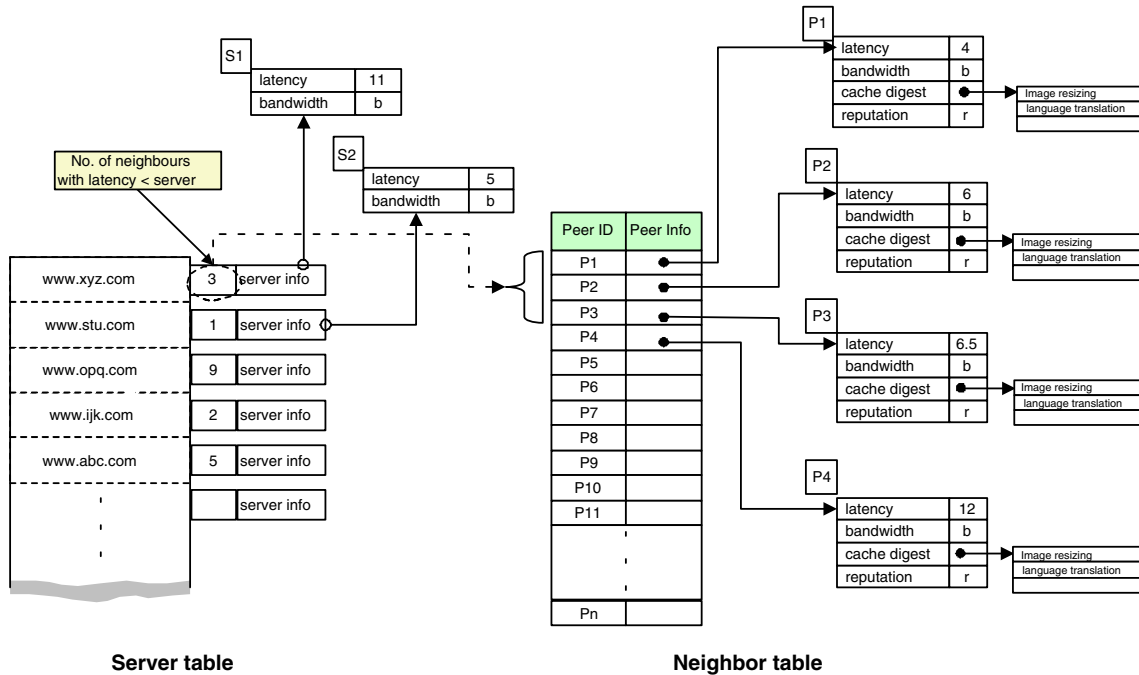


Fig. 2. Two tables maintained at each Tuxedo cache node: server table and neighbor table.

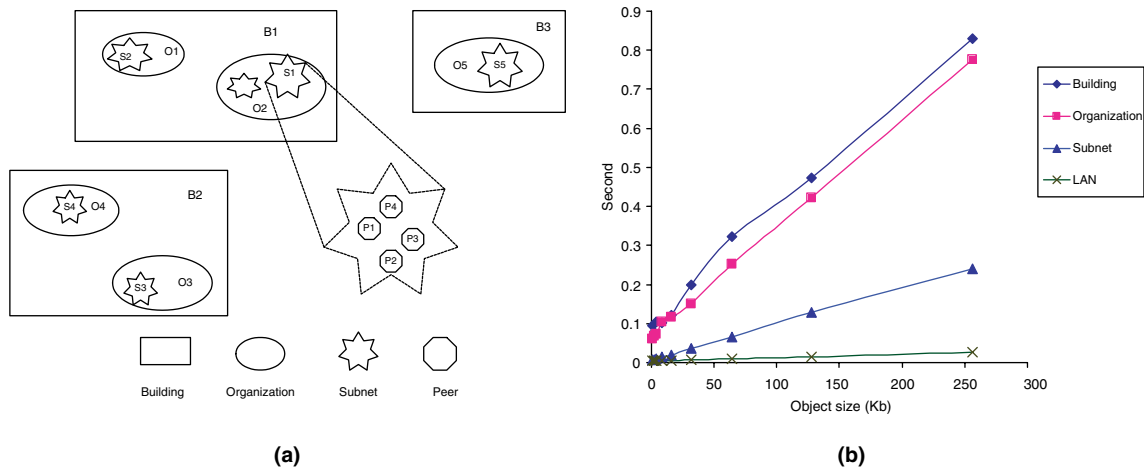


Fig. 3. (a) Peer granularity and (b) the simple latency estimation model.

2.4. A simple latency estimation model

To estimate the possible *latency reduction* of different design options, we use a simple latency model to compute the latency between any two hosts. According to Fig. 3(a), there are four possible host-to-host latency models: hosts within the same LAN (in the reach of the same switch); hosts in different LAN but within the same subnet; hosts between different organizations but within the same building and hosts between different buildings. To measure these latencies, we ran a client program to fetch different Web objects, with size ranging from 1 to 256KB, against an Apache Web server (Apache HTTP Server Project, 1999) inside campus. We calculated the latency between the request and the last-byte of response as in Fig. 3(b). Since

these latency values include not only the delay of network, but also the overhead of the application, we call this *application level latency*. Using the minimum square linear programming approach, we found all latencies follow a linear model, i.e., $f(x) = ax + b$, where x is a variable of the file size in kilobyte, $f(x)$ represents the latency in second, the corresponding parameters a and b are listed in Table 2.

Table 2 The simple latency estimation model coefficient

Granularity	a	b
LAN	0.0001	0.0042
Subnet	0.0009	0.0066
Organization	0.0028	0.0671
Building	0.0029	0.0920

3. Trace generation

By examining many existing traces, we find that they are either (1) lack of the user-perceived latency which is one of performance metrics in our study; or (2) absence of the entire Web object which is required to calculate the content digest. We decide to collect the trace on our own. We collected all inbound Web traffic and rebuilt the trace. The inbound Web traffic means those Web sessions originated by the inside-campus clients and served by outside-campus Web servers.

3.1. Trace collection

Tcpdump (*tcpdump*, 2001) is used to collect TCP packets at the network entrance of a middle-size education institution, while all Web traffic through port 80 is sniffed. To extract the complete HTTP information, including both header and content, we have developed WebTACT, a Web Traffic Analysis and Characterize Tool (Zhu et al., 2003). The output of WebTACT includes the hash digest values for requested Web content, and the user-perceived latency, which is measured as the difference between the capture time of last packet of response and that of first packet of request. The TTL (time-to-live) value associated with each Web document is calculated using Squid's (*squid*, 1998) implementation.

From the viewpoint of Web caching, generally Web content could be categorized as uncacheable Web object or cacheable Web object. The cacheable Web content refers to those infrequently changed Web objects (also known as static Web content). The uncacheable Web content could be further subcategorized into seven uncacheable types, depending on the following rules:

- **Type 1**—*NonGet*: If the HTTP method, appeared in the HTTP request header, is not a GET method, then the corresponding HTTP object would be classified as *NonGet* subtype;
- **Type 2**—*DynGen*: If the method is GET, and the request URL contains keywords (like "cgi", "asp", "=", and "?", ..., etc.), which implies the HTTP response object is probably generated dynamically, then that object would be classified as *DynGen* subtype;
- **Type 3**—*Pragma*: In the cases that HTTP request/response header part contains "Pragma: no cache" control information header, this object could be considered as *Pragma* subtype;
- **Type 4**—*CacheCtl*: In the case that HTTP request/response "Cache Control" header contains information indicating this is a dynamic, uncacheable HTTP object, this HTTP object is classified as *CacheCtl* subtype;
- **Type 5**—*Personalized*: If the HTTP request header contains *Cookie* or *Authorization*-related headers, or the HTTP response contains *Set-Cookie* header, the corresponding HTTP content is defined as *personalized* subtype;
- **Type 6**—*AbnormalStatus*: If the return status code from server does not belong to 2XX or 3XX, we think the response object is not a cacheable response and treat it as *AbnormalStatus* subtype;
- **Type 7**—*ZeroTTL*: Except above six subtypes, we are also interested in the HTTP objects whose TTL (time-to-live) values equal to zero. This sort of objects is classified as *ZeroTTL* subtype.

3.2. Host traffic clustering

To cluster the inbound traffic at different peer granularities, we obtained the network topology information from Computing & Information Technology (C&IT) division of the education institution. Based on this, we could identify the relationship between any two internal IP addresses (two clients), and calculate the simulation latency using the latency estimation model as described above. Note that if two users use the same machine, we have to consider them as one peer in the *host-level* caching.

4. Performance evaluation and analysis

We adopt the trace-driven approach to examine the different design choices of peer-to-peer Web caching, implementing two caching algorithms, and four document lookup methods at four peer granularities. The trace used in the performance evaluation was collected at a medium size education institution during a seven-day period (August 25–31, 2003). Only the inbound traffic is examined in the analysis.

Totally, there are 10,481 unique hosts observed from the trace based on their IP addresses. These hosts belong to 110 subnets, disperse in 77 organizations that are located in 60 buildings. In order to emulate the behavior of real deployed Web caches, we set the size limit for the caches at centralized, building, organization and host levels to 1GB, 300MB, 100MB and 10MB, respectively. We also limit the maximum size of cacheable objects to 20% of the corresponding cache capacity. Although cache sizes of real deployment could be set much bigger, we are interested in the relative relationship (relative size ratio) among caches at different levels. The least-recent used (LRU) replacement algorithm is used in our simulation.

4.1. Performance metrics

Although most previous studies chose performance metrics like the *hit ratio* and the *byte hit ratio* to evaluate Web caching, from the perspective of clients, the user-perceived latency is the most crucial. In this study, we focus not only on the *hit ratio* and the *byte hit ratio*, but also on the *latency reduction*, which is the improvement of the estimated latency compared with the measured latency. In addition to the absolute latency reduction, we also use *speedup*, a relative comparison, to evaluate different Web caching systems.

In our previous work (Mao et al., 2004), the P2P routing overhead of the *home2* algorithm is estimated based on average latency (calculated as the average number of hops times the average latency per application layer hop). In this paper, we also implement a variant of the *home2* algorithm by using the FreePastry (FreePastry, 2003) package at the host level. Our results in Section 4.3 show that the FreePastry introduces more latency than our estimation in (Mao et al., 2004). Moreover, we also introduce a notion of *peer sharing gain* to indicate the resource share degree between those peers. The *peer sharing gain* is defined as the ratio of the number of remote hits and the number of total hits. Regarding to the *latency reduction*, it could be improved (positive) or deteriorated (negative). We use L_{improve} and $L_{\text{deteriorate}}$ to depict these two cases, respectively.

4.2. Hit ratio

In terms of the *hit ratio*, including both request *hit ratio* and the *byte hit ratio*, we examine different design choices. Fig. 4 shows that the *hit ratio* and the *byte hit ratio* of the *URL-based* and the *content-based* caching algorithms at four peer granularities respectively. Each item in the *X-axis* represents a combination of peer granularity and document

lookup algorithm. For example, *host-geo* means the *geographic-based* document lookup algorithm is applied at *host level*. The *Y-axis* of Fig. 4(a) and (c) indicates the *hit ratio* in percentage. The *Y-axis* of Fig. 4(b) and (d) shows the *byte hit ratio* in percentage. In Fig. 4, each bar consists of two parts, the *local hit* (lower part) and *remote hit* (upper part). The *local hit* refers to the hit happened at the default cache (for example, at *host level* the default cache is the local cache of host itself), and the *remote hit* refers to the hit happened at the requested document's home cache (the *home1* and the *home2*), or neighbor within the same subnet (the *Geo*). For the centralized cache, the remote hit is zero.

Note that, for the *content-based* caching algorithm, we only simulate the uncacheable Web content, while this algorithm works for the static Web content as well. Thus, the total *hit ratio* or *byte hit ratio* of the *content-based* caching algorithm is the sum of that from *content-based* and that from *URL-based* correspondingly. The *URL-based* caching algorithm, as illustrated in Fig. 4(a) and (b), has the lower cache hits in terms of the *hit ratio* and the *byte hit ratio* compared with the *content-based* caching algorithm as shown in Fig. 4(c) and (d). From those figures, we observe that the local hit ratio decreases from the *centralized level* to the *host level* caused by the total cache size

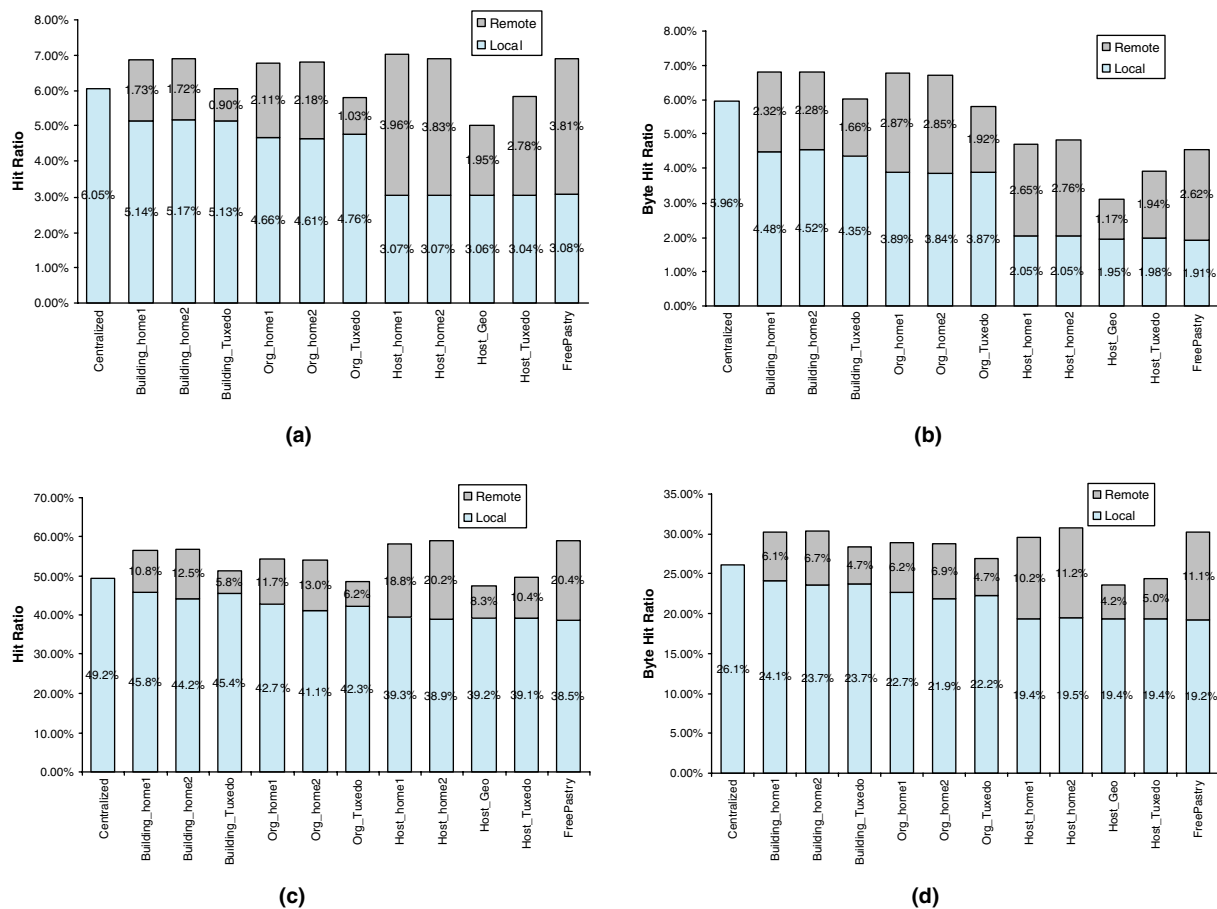


Fig. 4. Comparison of hit ratios and byte hit ratios of different algorithms: (a) *URL-based* hit ratio, (b) *URL-based* byte hit ratio, (c) *Content-based* hit ratio and (d) *Content-based* byte hit ratio.

decreasing at each level, and the remote hit ratio increases respectively for both the *URL-based* and the *content-based* caching algorithms due to the sum of peers cache size increasing. In general, the *home1* has a big hit ratio than the *home2*, and the *Tuxedo* has less hit ratio than both of them. The reason is the *home2* algorithm will store the Web objects at both the requesting host and the home of the requested object, which causes the disk space redundancy to decrease the hit ratio. The lower hit ratio of the *Tuxedo* is due to the low document lookup efficiency and the adaptive neighbor set algorithm, as explained in Section 4.2.2. Next, we will discuss the *hit ratio* and *byte hit ratio* based on caching algorithms, document lookup algorithms and peer granularities separately.

4.2.1. Caching algorithm

In our study, we are interested in which caching algorithm could achieve higher *hit ratio* and *byte hit ratio*. From Fig. 4(a) and (c), we find that the *hit ratio* of the *URL-based* algorithm has the value from 5.04% to 7.03%, while the *content-based* algorithm gains an order of magnitude additional *hit ratio*, ranging from 47.44% to 59.08%, depending on different P2P granularities. The reason for the lower hit ratio of the *URL-based* caching algorithm is there are 49.6% requests whose TTL's values are zero, probably caused by the cache busting (Krishnamurthy and Rexford, 2001) technique, and therefore those requests are uncacheable for the traditional caching algorithm. These results indicate that the *content-based* algorithm has the great potential to increase the *hit ratio*. Fig. 4(b) and (d) report that the *byte hit ratio* of the *URL-based* caching algorithm is from 3.12% to 6.80%, while *content-based* algorithm gains additional *byte hit ratio* from 23.55% to 30.22%, depending on different peer granularities. Surprisingly, it can be seen from the figure that the *byte hit ratio* does not gain as much as *hit ratio* using *content-based* caching algorithms. The possible reasons are: (1) the cache busting (Krishnamurthy and Rexford, 2001) technique tends to apply to small object, like advertised gif or jpeg images; (2) some very small HTTP response heads (for example, 404 for "document not found" in HTTP protocol) happen a lot of times, and they have the same digest.

4.2.2. Document lookup algorithm

Logically, the *hit ratio* resulting from a document lookup algorithm is determined by the scope of lookup and the efficiency of the document lookup algorithm, independent of the specific document lookup algorithm. The difference of *hit ratio* for the *home1*, the *home2* lookup algorithm, as shown in Fig. 4, is caused by two possible reasons: (1) the space limitation of cache size, and (2) the disk redundancy of the *home2* algorithm. Comparing with the *home1*, the *home2* will store the Web objects at two locations: one is at the requesting host, and the other is at the logic home of the requested object. This will cause some disk space redundancy to decrease the hit ratio. On the other hand,

the low hit ratio of the *Tuxedo* (especially for the remote hit ratio) is not caused by the space limitation, instead is the result of the specific algorithm of *Tuxedo*. The *Tuxedo* algorithm uses cache digests to predict the Web content among its peers. The efficiency of prediction depends on the size of bloom filter (for cache digests) and the frequency of digest updating. Experiment shows that 30 min updating interval will achieve 90% lookup efficiency, while 1 h updating interval will get only 87% using the same trace. Another factor to decrease the *Tuxedo* hit ratio is the adaptive neighbor set algorithm which intends to access the origin Web server if the cache peers is slower than the origin Web server; however, we find that the loss of the hit ratio will be compensated by the benefit of latency reduction or speedup. Interestingly, it can be seen from the figures that the *hit ratio* of the *geographic-based* algorithm is lower than that of three other algorithms. This is caused by the limited host number in each subnet searched by the *Geo* algorithm. Although the *Geo* algorithm only has two third of the *hit ratio* compared with the *home1* and the *home2*, we still think it as a very promising document lookup algorithm because it uses only one percent of host population on average compared with the *home1* and the *home2* algorithms. Therefore, the *Geo* algorithm can scale very well.

4.2.3. Peer granularity

In this paper, we are interested in which peer granularity level the peer-to-peer Web caching should be deployed. An analytic result indicates that the *hit ratio* should increase with the peer granularity changing from the *centralized level* to the *host level*. The increment of the *hit ratio* is caused by the cache capacity increasing with the changing of peer granularity. Fig. 4 shows that the *hit ratio* and the *byte hit ratio* increase with peer granularity changing from the *centralized level* to the *host level*, but there are some exceptions for the *URL-based* algorithm at the *organization level* P2P caching. The possible culprits are: (1) the total cacheable Web objects number is small, and their total bytes are less than the sum of cooperative cache capacity; (2) the object size limitation at the *organization level* and the *host level* is 20 and 2MB, respectively, and there exist some files that are too large to be cached. For the exception of the *content-based* lookup algorithm at the *organization level* whose *hit ratio* and *byte hit ratio* are less than those of *building level* cache, the possible reason is that the capacity sum of the *organization level* cache is 7700MB, which is less than the capacity sum of the *building level* cache, 18,000MB. Another exception is the relative low remote hit ratio in host-Geo scenario, which is caused by the limitation of its neighbor population (limited by the size of subnet). Despite this, it still achieves a very impressive *hit ratio*.

4.2.4. Peer share gain

The motivation of peer-to-peer Web caching is to share Web objects among a group of clients. We define a notion of *peer sharing gain* to indicate the resource share degree between those peers. The *peer sharing gain* is defined as

Table 3
The peer share gains of two caching algorithms at three peer granularities

Granularities	URL-based		Content-based	
	Peer share gain (%)	Peer share gain (byte hit) (%)	Peer share gain (%)	Peer share gain (byte hit) (%)
Building-home1	25.2	34.1	19.1	20.1
Building-home2	24.9	33.5	22.0	22.0
Building-Tuxedo	14.9	27.6	11.2	16.6
Org-home1	31.2	42.5	21.5	21.4
Org-home2	32.0	42.5	24.1	23.9
Org-Tuxedo	17.8	33.1	12.7	17.6
Host-home1	57.5	55.5	32.4	34.4
Host-home2	55.6	57.4	34.2	36.5
Host-Geo	38.9	37.5	17.4	17.6
Host-Tuxedo	47.8	49.6	21.0	20.6
FreePastry	55.3	57.8	34.7	36.7

Table 4
The hit ratio and byte hit ratio of different dynamic types at four peer granularities

Dynamic types	NonGet (%)	DynGen (%)	Pragma (%)	CacheCtl (%)	Personalized (%)	Abnormal Status (%)	ZeroTTL (%)
<i>Hit ratio</i>							
Centralized	0.17	11.94	0.33	1.36	0.06	4.93	24.66
Building	0.21	12.48	0.35	1.65	0.07	5.11	30.63
Building-Tuxedo	0.23	12.64	0.35	1.48	0.06	4.02	26.29
Organization	0.20	12.28	0.33	1.57	0.06	5.05	28.94
Organization-Tuxedo	0.21	12.40	0.36	1.37	0.06	3.97	24.23
Host	0.23	13.44	0.54	1.65	0.07	4.56	31.42
Host-Geo	0.21	12.12	0.37	1.39	0.06	3.96	23.09
<i>Byte hit ratio</i>							
Centralized	0.11	4.35	1.83	0.78	0.22	0.61	16.35
Building	0.12	4.91	1.92	0.91	0.23	0.62	19.52
Building-Tuxedo	0.12	4.76	1.87	0.87	0.23	0.56	18.27
Organization	0.11	4.73	1.87	0.86	0.23	0.63	18.47
Organization-Tuxedo	0.13	4.59	1.82	0.81	0.23	0.56	17.17
Host	0.11	5.06	1.94	0.92	0.10	0.58	19.17
Host-Geo	0.11	4.23	1.70	0.76	0.10	0.54	14.49

the ratio of the number of remote hits and the number of total hits. Table 3 shows the *peer share gain* in terms of both request hit and byte hit based on different peer granularities and two caching algorithms. From Table 3, we can find that the *host level* caching has the highest *peer share gain* for both *hit ratio* and *byte hit ratio*, for two caching algorithms, *URL-based* and *content-based*. Table 3 also shows that *building* and *organization level* have around 20% sharing gain for *hit ratio*, and 20% for *byte hit ratio* when applying *content-based* caching algorithm. This observation implies peer-to-peer Web caching can efficiently share Web objects in terms of both *hit ratio* and *byte hit ratio* at different peer granularities. Note that, the *content-based* caching algorithm actually reduce the peer share gain in terms of both number of requests and number of bytes. The reason is the *content-based* caching algorithm will cause more number of cache replacement due to the cache size limit. It is worth noting that the peer share gains of the FreePastry implementation always have the highest values in Table 3, which agrees with the guarantee of document lookup of structured peer-to-peer systems; however, as we will see in Section 4.3, most of the hit achieved by the

FreePastry implementation actually deteriorate the user-perceived latency.

4.2.5. Effect of dynamic type

Although the *content-based* algorithm has the great potential for content reusing, we are more interested in where this benefit comes from. Therefore, we analyze the *hit ratio* for dynamic types in detail and exploit which type of dynamic content could be efficiently cached or has higher *hit ratio* in our simulation. Table 4 shows the *hit ratio* for seven dynamic types at different peer granularities. Table 4 indicates that there is no significant difference of *hit ratio* and *byte hit ratio* for the four level peer granularities. ZeroTTL contributes about 50% *hit ratio* of total digest hit. DynGen contributes about 15% *hit ratio* of total digest hit. These results imply that for *content-based* caching algorithm we need to focus on DynGen and ZeroTTL types. We also evaluate the corresponding *latency reduction* for these two types, and we find that the latency improvement for DynGen is 93% and for ZeroTTL is about 84%. We think these improvements are acceptable.

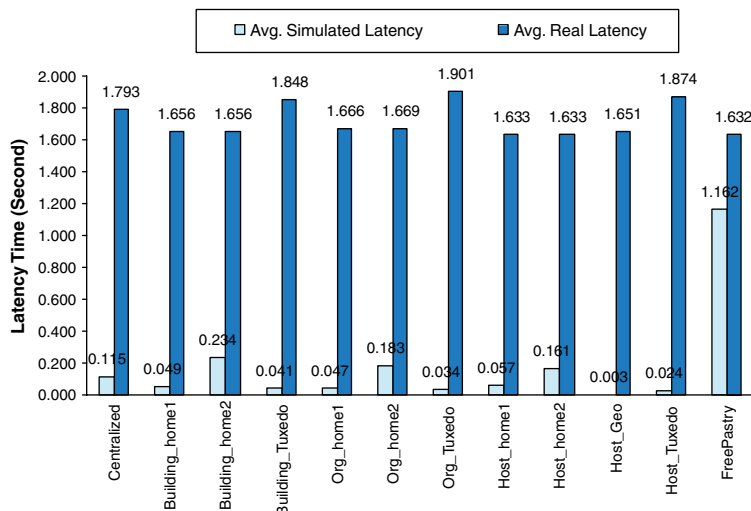


Fig. 5. The comparison of the average measured latency and the simulated (estimated) latency.

4.3. Latency reduction and speedup

Now we are in the position to examine the corresponding *latency reduction* and *speedup* resulting from peer-to-peer Web caching. We use the user-perceived last-byte latency as a performance metric to examine all possible caching design space. In this section, instead of examining the *speedup* of both the *URL-based* and the *content-based* caching algorithms, we evaluate the *URL-based* algorithm only, because the overhead of the *content-based* depends on specific implementation details. We first evaluate the *speedup* of the different algorithms at three peer granularities, i.e., host level, organization level, and building level. The speedup is defined as the ratio of T_{without} and T_{with} , where the T_{without} is the average response time of a client to retrieve a Web object from its local cache L without peer cache cooperation and the T_{with} is the average response time of a client to retrieve a Web object from its local cache L and with the cooperation of peer cache R cooperation.

Fig. 5 illustrates the average latency obtained from simulation and measurement for different caching algorithms at all possible peer granularities. In the Figure, the average

simulation latency is the average of all simulated latencies (calculated from the simple latency model) resulted from hit requests during the simulation. On the other hand, the average measurement latency is the average of all measured latencies (calculated from the trace data) corresponding to *these* hit requests. The host-Tuxedo scenario has the best *latency reduction* except for *Geo* which has a less *hit ratio*. The FreePastry has very low latency reduction comparing with others. Our speedup analysis also shows it increases the user perceived latency in average. This indicates the *home2* algorithm will not achieve good latency reduction as well.

Table 5 shows the percentage of latency improvement represented by L_{improve} and the latency deterioration represented by $L_{\text{deteriorate}}$ for all hit requests in different peer-to-peer Web caching design options. L_{improve} represents the number of hit requests where the simulation latency is less than the measurement latency. $L_{\text{deteriorate}}$ represents the difference between total number of hits and L_{improve} . From the table, we observe that the *Tuxedo*, the *Geo* and the *home1* have a higher L_{improve} ratio, but the *Tuxedo* has the highest L_{improve} number. The speedup analysis also support this conclusion.

Table 6 shows the *speedup* of different document lookup algorithms at three peer granularities. The *speedup* analysis needs to consider the lookup overhead and efficiency of each document lookup algorithm. The *home1* algorithm has no lookup overhead, but the lookup efficiency is imperfect. In paper (Dykes and Rabbins, 2002), they suggest using nighttime update, and the lookup efficiency is 0.91.

Table 5

The percentage of latency improvement and deterioration of the *URL-based* caching algorithm at four peer granularities

Granularities	L_{improve}	$L_{\text{deteriorate}}$
Centralized	380,233 (55.1%)	309,608 (44.9%)
Building-home1	610,090 (82.7%)	127,454 (17.3%)
Building-home2	219,136 (29.7%)	519,464 (70.3%)
Building-Tuxedo	603,355 (93.2%)	44,120 (6.8%)
Org-home1	622,764 (84.8%)	111,570 (15.2%)
Org-home2	251,161 (34.1%)	485,337 (65.9%)
Org-Tuxedo	609,839 (98.1%)	11,956 (1.9%)
Host-home1	577,786 (77.6%)	167,176 (22.4%)
Host-home2	434,263 (58.4%)	309,775 (41.6%)
Host-Geo	533,895 (98.7%)	7065 (1.3%)
Host-Tuxedo	613,946 (98.3%)	10,341 (1.7%)
FreePastry	329,333 (44.6%)	408,530 (55.4%)

Table 6

The speedup of different document lookup algorithms at three peer granularities

Granularities	<i>home1</i>	<i>home2</i>	<i>Tuxedo</i>	<i>Geo</i>	FreePastry
Building level	1.09	1.01	1.10	N/A	N/A
Organization level	1.15	1.11	1.09	N/A	N/A
Host level	1.37	1.10	1.38	1.23	0.74

The *home2* algorithm has a perfect lookup efficiency, but has a considerable lookup overhead. In the *home2* implementation, the average routing hops is used to simulate the lookup overhead of P2P routing. Comparing with the *home2* implementation, the lookup overhead of FreePastry is much larger, which indicates that the FreePastry does not take the proximity into consideration efficiently, and always route requests to a peer far away from the requesting host. This is a typical phenomenon of most structured distributed hash tables (DHTs) that there is a mismatch between physical network and logic space caused by distributed hash tables. The speedup of FreePastry is 0.74, which means the Pastry based P2P Web caching indeed increases the user-perceived latency, although with a high *hit ratio*, as listed in Table 3. Therefore, we will not consider either *home2* or FreePastry in later analysis. The lookup efficiency of the *Tuxedo* is perfect with 6KB cache digest for each peer at the *host level*. The update interval of cache digest is 30 min and the experiment shows that it could achieve 90% lookup efficiency. From Table 6, we observe that the *host level* implementation has the higher speedup than that of the implementations at the *building* and *organization levels*. The *home1* and *Tuxedo* algorithms are faster than other algorithms at all peer granularities.

Next, we will discuss the *latency reduction* and the *speedup* in terms of document lookup algorithms, and P2P granularities.

4.3.1. Documents lookup algorithm

Although the *Geo* has a significant *latency reduction* and a good *speedup*, the performance will be impaired by the multicast overhead of the network in the real implementation. From Fig. 5, we can see that *home1* and *Tuxedo* algorithms have very high *latency reduction* and a large percentage (L_{improve}) as well. The *speedup* of the *Tuxedo* algorithm and the *home1* algorithm at *host level* is 1.38 and 1.37, respectively. This shows *Tuxedo* and *home1* could efficiently reduce the user perceived latency.

4.3.2. Peer granularity

The *centralized level* caching has a comparable *latency reduction* comparing with *building level*, *organization level* and *host level*, but it will suffer scaling problem in a real implementation with a large client population. The *building level* has very similar results in terms of average latency, speedup, and L_{improve} compared with *organization level* cache. Although *host level* caches have higher speedup (e.g., 1.38 for the *Tuxedo* and 1.37 for the *home1*) than *building level* speedup (e.g., 1.10 for the *Tuxedo* and 1.09 for the *home1*), we prefer to the *building level* or the *organization level* implementation for ease management and less overhead of updating discovery information.

5. Implications

Based on the analysis results in the last section, several implications could be derived as follows:

- *Need protocol support for deploying the content-based Web caching mechanism*: The results of the experiment show that the *content-based* caching algorithm improves the *hit ratio* tremendously. For example, in Fig. 4, the *hit ratio* increased from 6.9% for the *URL-based* caching algorithm to 62.0% for the *content-based* caching algorithm at *building level* granularity. However, in our current simulation, we assume that a client, which sends the request, knows the digest of the request Web content in prior. This is impractical in the real situation. Thus, to exploit the benefit of the *content-based* caching algorithm, an efficient mechanism is required to obtain the content digest. DTD (Kelly and Mogul, 2002) and VBWC (Rhea et al., 2003) are two recent efforts to exploit this.
- *Tradeoff between latency reduction and scalability*: The *latency reduction* is a key performance metric in our study. Fig. 5 shows that the *home1* and the *Tuxedo* document lookup algorithms are always outperforms the *home2* algorithm. In the real implementation, the *home1* algorithm needs a centralized index server, which is a big obstacle of scalability for a large client population. Although the *home2* algorithm is exempted from the scalability problem, it will increase the user-perceived latency, because of the extra overhead of P2P routing. Therefore, we argue that peer-to-peer Web caching at *organization* or *building levels* using the *Tuxedo* lookup algorithm is a good choice. The experiment of FreePastry shows that the mismatch between the logical space exploited by Pastry and the physical space of peers does hurt the performance, although the proximity has been considered in Pastry's design (Castro et al., 2003a). Proximity in peer-to-peer routing is still an active and open problem (Gummadi et al., 2003). Intuitively, we think if some geographically-aware clustering technologies (Krishnamurthy and Rexford, 2001; Ratnasamy et al., 2002) were applied on the *home2* algorithm, the *latency reduction* could be improved, but further study is required.
- *Exploiting the geographic-based lookup algorithm*: We propose a simple and effective *geographic-based* document lookup algorithm. The results show that it has an acceptable *hit ratio* and a significant *latency reduction*. The reason of the relative lower *hit ratio* compared with the other two algorithms is due to the limited host population participating in the *geographic-based* cluster. We believe that if some geographically-aware clustering technologies, such as network clustering (Krishnamurthy and Rexford, 2001), or landmark based binning algorithm (Ratnasamy et al., 2002), are integrated with the *geographic-based* lookup algorithm to increase the client population, the *hit ratio* will increase greatly, while the advantage of the *latency reduction* still remains good.
- *Potential of caching dynamic types*: We examine the *hit ratio* of dynamic content based on dynamic types. The purpose of exploiting dynamic types is to examine the

cacheability of different dynamic types according to our classification technique. In our simulation, we assume that all those seven types of dynamic content could be cached based on their content digest. Intriguingly, experiment results in Table 4 show that only DynGen, AbnormalStatus and ZeroTTL dynamic content have an acceptable *hit ratio*. AbnormalStatus represents abnormal response status, definitely not suitable for caching. (DynGen) and (ZeroTTL) contribute about 75% of the *hit ratio* in the *content-based* caching algorithm. Caching those two dynamic types will significantly improve the Web caching performance and save tremendous network bandwidth.

- *Which peer granularity is the best?:* From the perspective of *peer share gain*, the experiments suggest the lower the peer granularity the larger *peer share gain*, which advocates the *host level* peer-to-peer Web caching. From the perspective of the *latency reduction* or the speedup, which is the most crucial consideration for clients, the *organization level* or *building level* peer-to-peer Web caching using the *Tuxedo* algorithm is the best one. If there are some improvements at lookup algorithm to reduce the latency caused by P2P routing, the *host level* P2P Web caching using the *home2* algorithm will be a good choice too.

6. Related work and discussions

Peer-to-peer Web caching (also known as cooperative Web caching) has been extensively studied in recent years (Iyer et al., 2002; Xiao et al., 2002; Wolman et al., 1999b; Shi et al., 2003b; Stading et al., 2002). The work presented in this paper is inspired by the controversial observations drawn from these earlier efforts. To the best of our knowledge, our effort is the first try to systematically examine the design space of peer-to-peer Web caching in three dimensions, and quantitatively evaluate their performance in terms of three performance metrics: *hit ratio*, *latency reduction*, and *speedup*.

Cooperative caching was first proposed by Dahlin et al. in the context of memory caching sharing in file system (Dahlin et al., 1994), which examined and compared four different cooperative caching algorithms using a trace-driven simulation. However, we focus on Web content sharing, and evaluate different peer granularities, caching algorithms, and document lookup algorithms in this paper.

The pioneer work in cooperative caching was conducted by Wolman et al. in 1999, using the traces from University of Washington and Microsoft Research Redmond (Wolman et al., 1999b). This is the closest work to our analysis. There are three differences exist. First, the peer grains examined in our paper is wider than their work, which focus on the *organization level* only. Second, the qualitative latency improvement analysis in (Wolman et al., 1999b) was done by an analytical model, while we perform a quantitatively study. Finally, a new *content-based* caching algo-

rithm is proposed in this paper, distinguishing our work from their URL-based analysis.

Recently, Iyer et al. proposed Squirrel (Iyer et al., 2002), a peer-to-peer Web caching system built on the PASTRY peer-to-peer routing substrate (Rowstron and Druschel, 2001). Xiao et al. studied the reliability and scalability of a browser-aware proxy server by using a centralized index server for multiple hosts. Our work was partially inspired by these two previous efforts, and we implemented both of their algorithms in this paper for comparison purposes. In addition to hit ratio and cooperative hit ratio, this paper compares the likely *latency reduction* as well. Furthermore, the traces used in our analysis was collected on March, 2003, which is more up-to-date than the traces used in (Iyer et al., 2002; Xiao et al., 2002). Our recent work on Tuxedo (Shi et al., 2003b) proposed another object lookup protocol, called adaptive neighbor table, which compliments to this work. Backslash (Stading et al., 2002) is a content distribution system based on peer-to-peer overlay and used for those who do not expect consistently heavy traffic (flash crowds) to their sites. Although it is also a peer-to-peer Web caching system, the goal is totally different from ours.

Dykes and Robbin examined the benefits of cooperative proxy caching (Dykes and Rabbins, 2002); however, our work differs from theirs in threefold: (1) cooperative scope. We look at the peer-to-peer Web caching within an autonomous system, while their work apply for wide area caching; (2) design space. Their work looks at both hierarchical and mesh, while our work focuses on peer-to-peer (mesh) only; but to the best of knowledge, we are the first effort to systematically evaluate the design space of peer-to-peer Web caching systems in three dimensions; and (3) caching algorithm. Only the *URL-based* caching algorithm is evaluated in their work, we focus on both the *URL-based* and the *content-based* algorithms. The latter has a great potential for the future of Web caching. To our knowledge, we are the first to evaluate the performance of the *content-based* P2P caching using the real traces with content digests.

The *content-based* caching algorithm proposed in this paper is motivated by the fact that there exists a large amount of content repeatness in Web traffic, i.e., the content of two Web documents are the same even though their URLs are different. This phenomenon was observed in our recent traffic analysis (Zhu et al., 2003) and (Kelly and Mogul, 2002). The recent proposed value-based Web caching (VBWC) by Rhea et al. (2003) shares the similar idea as ours, but we come out this idea independently. Moreover, the focus of VBWC is implementation details (block-level) in the last mile, while our work is examining the potential benefits by using digest as a general Web caching approach. Their implementation compliments to our effort. The work of Bahn et al. (2002) focuses on reducing the repeatness of Web object on disk by using content digest, we are interested in peer-to-peer sharing of Web content.

Different from the content level Web sharing, at the semantic level, recently Zhuge et al. propose a semantic

link peer-to-peer (P2P) network specifies and manages semantic relationships between peers' data schemas (Zhuge, 2003; Zhuge et al., 2005). These data schemas can be used as the semantic layer of a scalable Knowledge Grid, which considers not only nodes but also the XML structure in measuring the similarity between schemas to efficiently and accurately forward queries to relevant peers. Furthermore, it copes with semantic and structural heterogeneity and data inconsistency so that peers can exchange and translate heterogeneous information within a uniform view. We believe this work complements to our work very well by considering the high level semantics. Integrating the semantics of Web content in the Web caching is a promising direction and we plan to investigate it in our next step.

Peer lookup algorithm is a very hot research topic in recent years. Chord (Stoica et al., 2001), CAN (Ratnasamy et al., 2001), Pastry (Rowstron and Druschel, 2001) are three representatives. In this paper, the average latency of the *home2* protocol is based on Pastry. Due to the similarity of these protocols (less than $O(\log(n))$ hops), we argue that our analysis can be easily extended to other algorithms. The simple *geographic-based* lookup algorithm proposed in this paper produces a reasonable performance in terms of hit ratio, and reduce the latency significantly. Theoretically, we believe that our work will definitely benefit from several recent work on geographically-aware clustering technologies, such as network clustering (Krishnamurthy and Rexford, 2001), landmark based binning algorithm (Ratnasamy et al., 2002), and global network positioning (GNP) service (Ng and Zhang, 2002). However, it is still an open problem to understand how much benefits can be obtained by employing these complicated algorithms. This will be our future work. Recently, Canali et al. evaluated the performance of two lookup algorithms, hierarchical and flat, in terms of transcoded version among cooperative caching (Canali et al., 2003). Different from their effort, we examine the whole design space of the peer-to-peer Web caching in the paper.

7. Conclusions

In this paper, we have systematically examined the design space of peer-to-peer Web caching, in terms of three design dimensions: *the caching algorithm, the lookup algorithm, and the peer granularity*. Our study shows that the *content-based* caching algorithm could greatly improve the Web objects cacheability; peer-to-peer Web cache at different granularities can share Web documents efficiently, ranging from 22.0% (at *building level*) to 34.2% (at *host level*); the latency could be reduced three to six times compared with the measured latency; and the *Tuxedo* document lookup algorithm has a prominent *hit ratio*, a significant *latency reduction*, and *speedup*. Based on these observations, we argue that the organization/building level peer-to-peer Web caching using the *Tuxedo* algorithm is the most appropriate choice. Our trace is available for research purpose at <http://mist.cs.wayne.edu>.

Acknowledgements

The authors would like to thank the anonymous reviewers for providing valuable comments to improve the presentation of this paper. The authors would also like to thank Zhaoming Zhu, for providing the Web trace, and his comments on the earlier version of this paper. This research was supported by the University Faculty Research Grant of Wayne State University.

References

- Androutsellis-Theotokis, S., Spinellis, D., 2004. A survey of peer-to-peer content distribution technologies. *ACM Computing Surveys* 36 (4), 335–371.
- Apache HTTP Server Project, 1999. Available from: <<http://httpd.apache.org>>.
- Bahn, H., Lee, H., Noh, S.H., Min, S.L., Koh, K., 2002. Replica-aware caching for web proxies. *Computer Communications* 25 (3), 183–188.
- Barford, P., Bestavros, A., Bradley, A., Crovella, M.E., 1999. Changes in web client access patterns: Characteristics and caching implications. *World Wide Web, Special Issue on Characterization and Performance Evaluation* 2, 15–28.
- Canali, C., Cardellini, W., Colajanni, M., Lancellotti, R., Yu, P.S., 2003. Cooperative architectures and algorithms for discovery and transcoding of multi-version content. In: *Proceedings of the 8th International Workshop on Web Caching and Content Distribution (WCW'03)*, September, 2003. pp. 205–221.
- Castro, M., Druschel, P., Hu, Y.C., Rowstron, A., 2003a. Proximity neighbor selection in tree-based structured peer-to-peer overlays. *Tech. Rep. Technical Report MSR-TR-2003-52*. Microsoft Research, Cambridge.
- Castro, M., et al., 2003b. An evaluation of scalable application-level multicast built using peer-to-peer overlays. In: *Proceedings of IEEE Conference on Computer Communications (INFOCOM'03)*, March, 2003, Vol. 2. pp. 1510–1520.
- Cunha, C., Bestavros, A., Crovella, M.E., 1995. Characteristics of WWW client-based traces. *Tech. Rep. BU-CS-95-010*, July 1995. Computer Science Department, Boston University.
- Dahlin, M., Wang, R., Anderson, T., Patterson, D., 1994. Cooperative caching: using remote client memory to improve file system performance. In: *Proceedings of the First USENIX Symposium on Operating Systems Design and Implementation*, November, 1994. pp. 267–280.
- Dykes, S.G., Rabbins, K.A., 2002. Limits and benefits of cooperative web caching. *IEEE Journal on Selected Areas in Communications* 20 (7), 1290–1304.
- FreePastry, 2003. Available from: <<http://www.cs.rice.edu/CS/System/Pastry/FreePastry/>>.
- Gnutella, 2000. Available from: <<http://gnutella.wego.com>>.
- Gummadi, K., Gummadi, R., Gribble, S., Ratnasamy, S., Shenker, S., Stoica, I., 2003. The impact of dht routing geometry on resilience and proximity. In: *Proceedings of ACM SIGCOMM'03*, August, 2003. pp. 381–394.
- IRCache Project, 1995. A distributed testbed for national information provisioning. Available from: <<http://www.ircache.net/Cache/>>.
- Iyer, S., Rowstron, A., Druschel, P., 2002. SQUIRREL: A decentralized, peer-to-peer web cache. In: *Proceedings of the 12th ACM Symposium on Principles of Distributed Computing (PODC 2002)*, July, 2002. pp. 213–222.
- KaZaA, 2005. Available from: <<http://www.kazaa.com>>.
- Kelly, T., Mogul, J., 2002. Aliasing on the world wide web: Prevalence and performance implications. In: *Proceedings of the 11th International World Wide Web Conference*, May, 2002. pp. 281–292.

- Krishnamurthy, B., Rexford, J., 2001. Web Protocols and Practice: HTTP/1.1, Networking Protocols, Caching and Traffic Measurement. Addison-Wesley, Inc.
- Mao, Y., Zhu, Z., Shi, W., 2004. Peer-to-peer web caching: Hype or reality? In: Proceedings of the 10th IEEE International Conferences on Parallel and Distributed Systems, July, 2004. pp. 171–178.
- Napster, 2005. Available from: <<http://www.napster.com>>.
- Ng, T.S., Zhang, H., 2002. Predicting internet network distance with coordinate-based approaches. In: Proceedings of IEEE Conference on Computer Communications (INFOCOM'02), June, 2002, Vol. 1. pp. 170–179.
- Ratnasamy, S., Francis, P., Handley, M., Karp, R., Schenker, S., 2001. A scalable content addressable network. In: Proceedings of ACM SIGCOMM'01. pp. 161–172.
- Ratnasamy, S., Handley, M., Karp, R., Shenker, S., 2002. Topologically-aware overlay construction and server selection. In: Proceedings of IEEE Conference on Computer Communications (INFOCOM'02), June, 2002, Vol. 3. pp. 1190–1199.
- Rhea, S.C., Liang, K., Brewer, E., 2003. Value-based web caching. In: Proceedings of the 12th International World Wide Web Conference, May, 2003. pp. 619–628.
- Rowstron, A., Druschel, P., 2001. Pastry: Scalable, distributed object location and routing for large scale peer-to-peer systems. In: Proceedings of the IFIP/ACM Middleware, November, 2001. pp. 329–350.
- Shi, W., Collins, E., Karamcheti, V., 2003a. Modeling object characteristics of dynamic web content. *Journal of Parallel and Distributed Computing* 63 (10), 963–980.
- Shi, W., Shah, K., Mao, Y., Chaudhary, V., 2003b. Tuxedo: A peer-to-peer caching system. In: Proceedings of PDPTA, June, 2003. pp. 981–987.
- Squid, 1998. Squid web cache. Available from: <<http://www.squid-cache.com/>>.
- Stading, T., Maniatis, P., Baker, M., 2002. Peer-to-peer caching schemes to address flash crowds. In: Proceedings of the 1st International Workshop on Peer-to-Peer Systems (IPTPS'02), February, 2002. pp. 203–213.
- Stoica, I., Morris, R., Karger, D., Kaashoek, M.F., Balakrishnan, H., 2001. Chord: a scalable peer-to-peer lookup service for internet applications. In: Proceedings of the ACM SIGCOMM'2001. pp. 149–160.
- Tcpdump, 2001. Tcpdump 3.7.1. Available from: <<http://www.tcpdump.org>>.
- Wolman, A., Voelker, G.M., Sharma, N., Cardwell, N., Brown, M., Landray, T., Pinnel, D., Karlin, A., Levy, H.M., 1999a. Organization-based analysis of web-object sharing and caching. In: Proceedings of the 2nd USENIX Symposium on Internet Technologies and Systems (USITS'99), October, 1999. pp. 25–36.
- Wolman, A., Voelker, G.M., Sharma, N., Cardwell, N., Karlin, A., Levy, H.M., 1999b. On the scale and performance of cooperative web proxy caching. In: Proceedings of 17th ACM Symposium on Operating Systems Principles (SOSP), December, 1999. pp. 16–31.
- Xiao, L., Zhang, X., Xu, Z., 2002. On reliable and scalable peer-to-peer web document sharing. In: Proceedings of 2002 International Parallel and Distributed Processing Symposium, April, 2002. pp. 23–30.
- Zhao, B., Kubiataowicz, J., Joseph, A., 2001. Tapestry: an infrastructure for fault-tolerant wide-area location and routing. Tech. Rep. UCB/CSD-01-1141, April, 2001. Computer Science Division, UC Berkeley.
- Zhu, Z., Mao, Y., Shi, W., 2003. Workload characterization of uncacheable web content—and its implications for caching. Tech. Rep. MIST-TR-2003-003, May, 2003. Department of Computer Science, Wayne State University.
- Zhughe, H., 2003. Active e-document framework adf: Model and platform. *Information and Management* 41 (1), 87–97.
- Zhughe, H., Liu, J., Feng, L., Sun, X., He, C., 2005. Query routing in a peer-to-peer semantic link network. *Computational Intelligence* 21 (2), 197–216.

Weisong Shi is an Assistant Professor of Computer Science at Wayne State University. He received his B.S. from Xidian University in 1995, and Ph.D. degree from the Chinese Academy of Sciences in 2000, both in Computer Engineering. His current research focuses on dynamic Web content delivery, trusted resource sharing in peer-to-peer systems, mobile computing, and wireless sensor networks. Dr. Shi has published more than 40 peer-reviewed journal and conference papers in these areas. He is the author of the book “Performance Optimization of Software Distributed Shared Memory Systems” (High Education Press, 2004). He has also served on technical program committees of several international conferences, including the chairs of poster track of WWW 2005 and WWW 2006. He is a recipient of Microsoft Fellowship in 1999, the President outstanding award of the Chinese Academy of Sciences in 2000, one of 100 outstanding Ph.D. dissertations (China) in 2002, “Faculty Research Award” of Wayne State University in 2004 and 2005, the “Best Paper Award” of ICWE'04 and IPDPS'05. He is a member of ACM, USENIX, and IEEE.

Yonggen Mao has completed his M.S. in computer science at Wayne State University on August 2004. His research focuses on Web caching and peer-to-peer systems. He received his B.E and M.E. degree from Hoai University, Nanjing, China, in 1991 and 1994, respectively, both in Civil Engineering.